

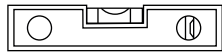
CORIAN® SHOWER AND BATH ENCLOSURES INSTALLATION INSTRUCTIONS

TOOLS

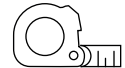
TABLE 1

You can use the following tools:

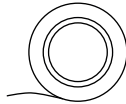
Level



Measuring tape



Adhesive tape



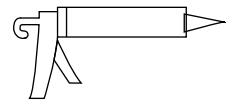
Silicone remover tool



Square angle



Silicone



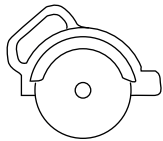
Corian® Joint Adhesive



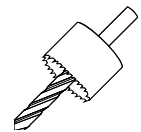
Acetone



Circular saw



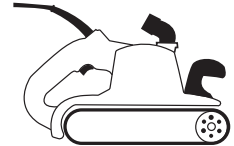
Hole saw



Hand router



Belt sander



Do NOT use:

Grinder



Jig saw

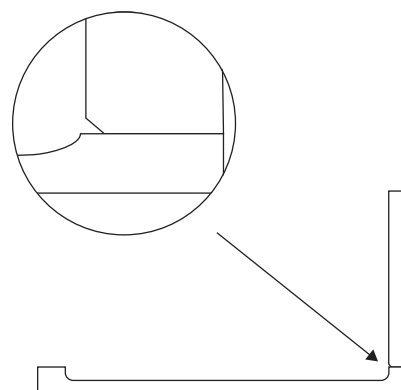


SURFACE PREPARATION

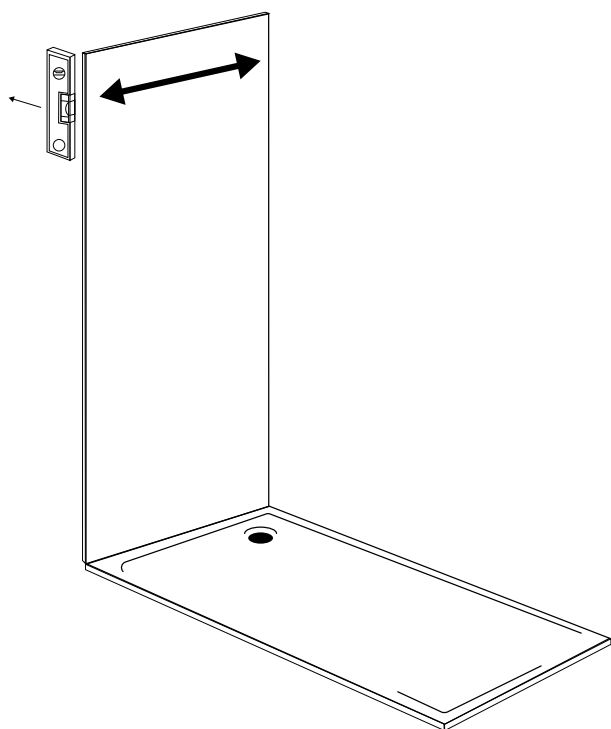
Corian® panels can be installed on most surfaces such as tiles, plaster board, vertical profiles and similar substrates. Before installation, please check the following to ensure a good bond:

1. The walls are level and sound.
2. The surfaces of the walls are dry, clean and free of dust.
3. The backsides of the panels are free of dust.

Depending on the substrate surface and the selected bonding method additional preparation of the substrate may be required.



BACK PANEL

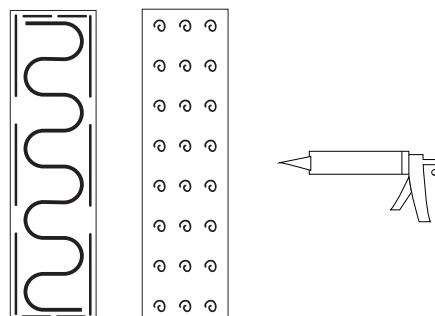


Preparation

1. Check if the walls are plumb.
2. Measure the width of the back wall.
3. Trim the back panel 5 mm smaller than the width of the wall.
4. Measure the position of the shower head and the tap
5. Drill the holes for the shower head and the tap using a router or a hole saw.
6. Smooth the edges of the holes with sandpaper.
7. Cut a 2 mm chamfer at the bottom of the panel.

Note: A silicone caulk will be applied here at the finishing stage.

Installation

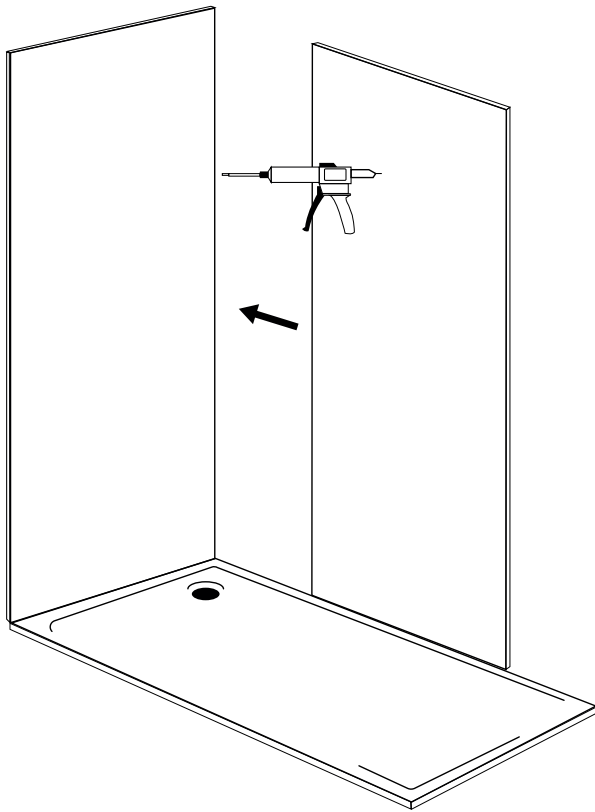


1. Apply silicone to the backside of the panel.
2. Put the panel in place.

Note:

If the colour of the silicone severely contrasts with the colour of the panel or the substrate, this could show through on panels that are more translucent.

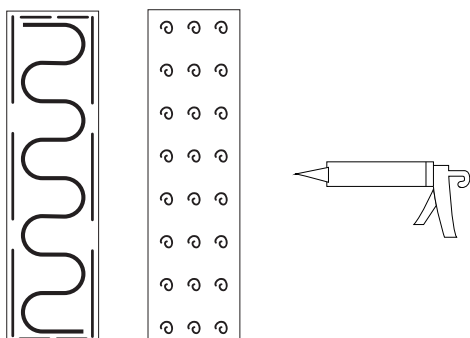
SIDE PANEL



Preparation

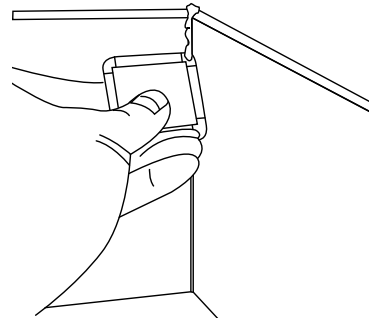
1. Measure and cut the side panel.
2. Place the side panel to see if it fits snugly.
3. If required, scribe the side panel and remove the excess material.
4. Cut a 2 mm chamfer at the bottom of the panel.
5. Clean the edge of the side panel with denatured alcohol.

Installation



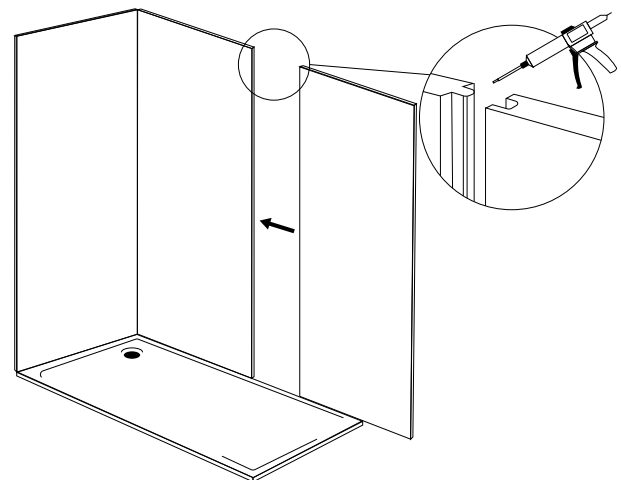
1. Apply silicone to the backside of the side panel.
2. Apply Corian® Joint Adhesive on the edge of the side panel.
3. Put the panel in place.

Corner Joint Finishing



1. Use a plastic silicone remover tool to remove most of the residual adhesive. This tool will efficiently remove the adhesive without scratching the surface of the panel.
2. Clean the corner using a cloth damped with acetone to remove all the residual adhesive from the surface.

ADDITIONAL SIDE PANEL



Tongue and Groove Joint

If the width of the side wall is larger than the standard panel width or if you want to add an edge detail, we recommend making a tongue and groove joint between the two panels before they are mounted.

The tongue and groove design should be conical and have rounded edges. This helps for a better alignment.

Preparation

1. Measure and cut the additional side panel.
2. Place the additional side panel to check if it fits snugly.
3. Cut a 2 mm chamfer at the bottom of the panel.
4. Clean the edges of the panels with denatured alcohol.

Installation

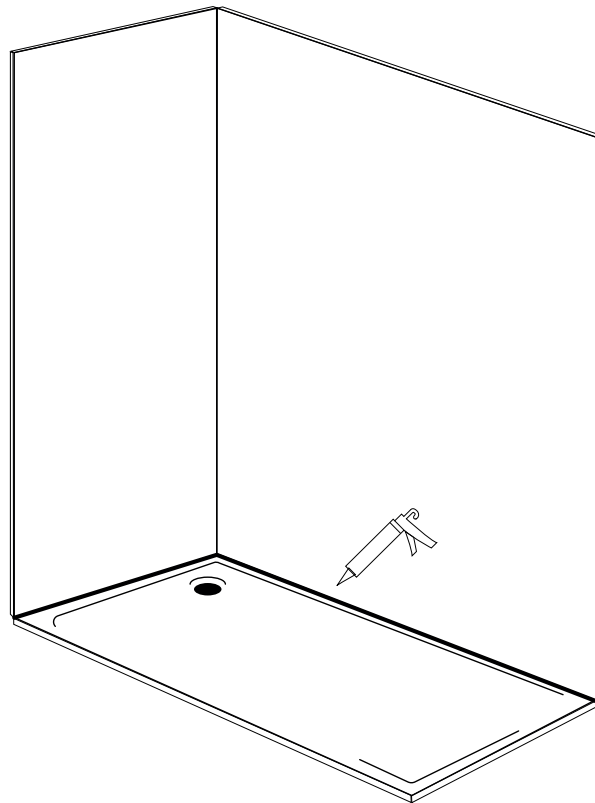
1. Apply Corian® Joint Adhesive in the groove of the first side panel.
2. Apply silicone to the backside of the additional side panel.
3. Put the panel in place.

Joint Finishing

The excess adhesive must be removed. See Corner Joint Finishing.

FINISHING

Apply a silicone caulk in the chamfer at the bottom of the panels to ensure the joint is watertight.



PLEASE VISIT OUR WEB SITE: WWW.CORIAN.COM OR CONTACT YOUR CORIAN® SOLID SURFACE REPRESENTATIVE FOR MORE INFORMATION ABOUT CORIAN® SOLID SURFACE

This information is based on technical data that E. I. du Pont de Nemours and Company and its affiliates ("DuPont") believe to be reliable, and is intended for use by persons having technical skill and at their own discretion and risk. DuPont cannot and does not warrant that this information is absolutely current or accurate, although every effort is made to ensure that it is kept as current and accurate as possible. Because conditions of use are outside DuPont's control, DuPont makes no representations or warranties, express or implied, with respect to the information, or any part thereof, including any warranties of title, non-infringement of copyright or patent rights of others, merchantability, or fitness or suitability for any purpose and assumes no liability or responsibility for the accuracy, completeness, or usefulness of any information. This information should not be relied upon to create specifications, designs, or installation guidelines. The persons responsible for the use and handling of the product are responsible for ensuring the design, fabrication, or installation methods and process present no health or safety hazards. Do not attempt to perform specification, design, fabrication, or installation work without proper training or without the proper personal protection equipment. Nothing herein is to be taken as a license to operate under or a recommendation to infringe any patents. DuPont shall have no liability for the use of or results obtained from such information, whether or not based on DuPont's negligence. DuPont shall not be liable for (i) any damages, including claims relating to the specification, design, fabrication, installation, or combination of this product with any other product(s), and (ii) special, direct, indirect or consequential damages. DuPont reserves the right to make changes to this information and to this disclaimer. DuPont encourages you to review this information and this disclaimer periodically for any updates or changes. Your continued access or use of this information shall be deemed your acceptance of this disclaimer and any changes and the reasonableness of these standards for notice of changes.

Copyright© 2018 E. I. du Pont de Nemours and Company. The Corian® Design Logo and Corian® are trademarks of E. I. du Pont de Nemours and Company or its affiliates. All rights reserved.