

CORIAN®  
SHOWER  
AND BATH  
ENCLOSURES





# CORIAN® SHOWER AND BATH ENCLOSURES

Elegant, reliable, versatile and durable: Corian® Shower Walls will enhance any bathroom environment. With superior sensory qualities and customisable designs, they meet a wide variety of demands in terms of both style and function.



#### EASY TO INSTALL

Corian® Shower Wall panels can be installed by any trade professional. They can be installed over most existing surfaces, minimizing downtime. No sanding is required, reducing dust during installation.



#### MAKES A DESIGN STATEMENT

Bold, saturated solids, subtle whites and veined aesthetics with Corian® Solid Surface your palette is whatever you want it to be. Corian® Solid Surface is the ultimate material to bring cutting-edge designs to life.



#### COST EFFECTIVE

Over the lifecycle of the application, Corian® Shower Walls demonstrate a cost advantage, versus other materials, thanks to lower maintenance and cleaning costs.



#### LOW MAINTENANCE WITH NO SILICONE JOINTS

Corian® Shower Wall Installations are easy to clean and maintain without the use of harsh chemicals because Corian® Joint Adhesive creates water-tight joints that are mould and mildew resistant.



#### 100% WATERPROOF

Its smooth impenetrable surface keeps dirt and liquids from soaking in.

OPPOSITE: Corian® Smart shower tray combined with wall panels in Corian® Solid Surface Lava Rock.

# CORIAN® SHOWER WALL KEY PRODUCT INFORMATION

- BATHROOM WALL PANEL SYSTEM UNIQUELY FITTED WITHOUT EXTRUSIONS OR SILICONE
- NO GROUT LINES OR SILICONE SEALING REQUIRED
- QUICK INSTALLATION BY ANY TRADE PROFESSIONAL
- NON-POROUS, HYGIENIC AND EASY TO CLEAN
- FOR WALL HEIGHTS UP TO 2.5M
- AVAILABLE IN OVER 100 EXCITING COLOURS IN 12MM THICKNESS FOR EASE OF ASSEMBLY AND ADJUSTMENT
- OFFERED IN PRE-CUT PANELS TO FIT FINAL CUSTOM DIMENSION WITH A FLEXIBILITY ON WIDTHS SIZE +/- 2CM IF NEEDED
- GREENGUARD® CERTIFIED / LOW VOCS
- 10 YEAR PRODUCT LIMITED WARRANTY
- "RECOMMENDED PRICE LIST" BASED ON THE MOST POPULAR SIZES (1200mm, 900mm, 600mm)
- FABRICATED OR CAST CORIAN® SHOWER TRAY CAN ALSO BE PROVIDED ON REQUEST
- MADE LOCALLY IN THE UK
- SELECTION OF CERTIFIED MANUFACTURERS AVAILABLE ON OUR WEB SITE [WWW.CORIAN.UK](http://WWW.CORIAN.UK)

OPPOSITE: Corian® Smart shower tray, wall shelf and seat in Corian® Solid Surface Designer White, wall panel in Corian® Solid Surface Rain Cloud.





# CORIAN® SHOWER WALLS CORNER DETAILS

Corian® Shower Walls can easily be installed without a silicone joint, to create the sleek impression of a single flowing surface, without the usual visible joints that can collect dirt and moisture. They are an ideal alternative to tiling, as there are no grout lines and day-to-day cleaning is made simpler thanks to the inconspicuous seams. Designed to remain beautiful. Corian® Solid Surface is non-porous, which prevents dirt and stains from penetrating the surface. This makes it easy to clean and hygienic, as bacteria, mould and mildew have nowhere to take hold.

## EXISTING DETERIORATED WET WALL ENVIRONMENTS IN HOTELS



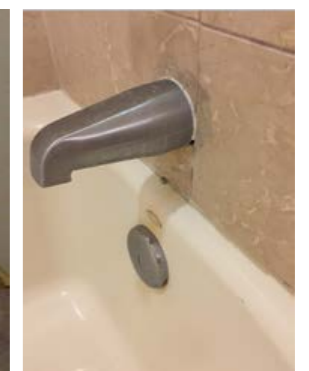
4 Star Hotel - Cancun, Mexico  
Stone



5 Star Hotel - Saudi Arabia  
Marble



5 Star Hotel - Madrid, Spain  
Ceramic tile

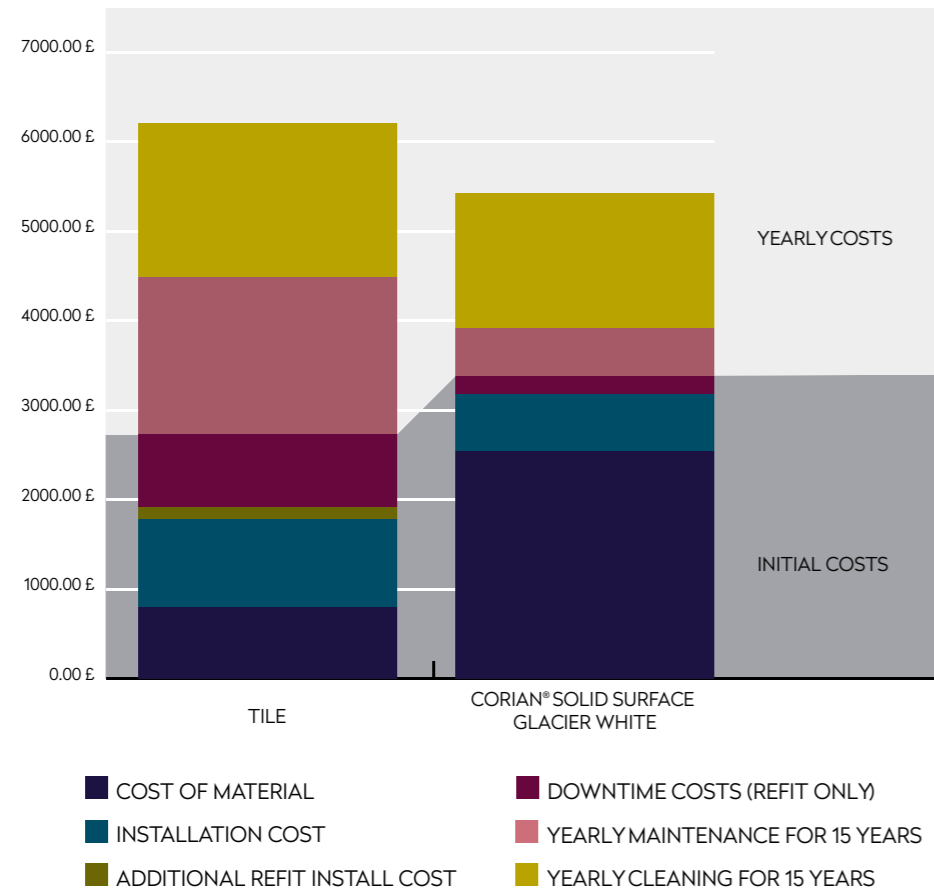


5 Star Hotel - Jacksonville, Florida  
Ceramic tile

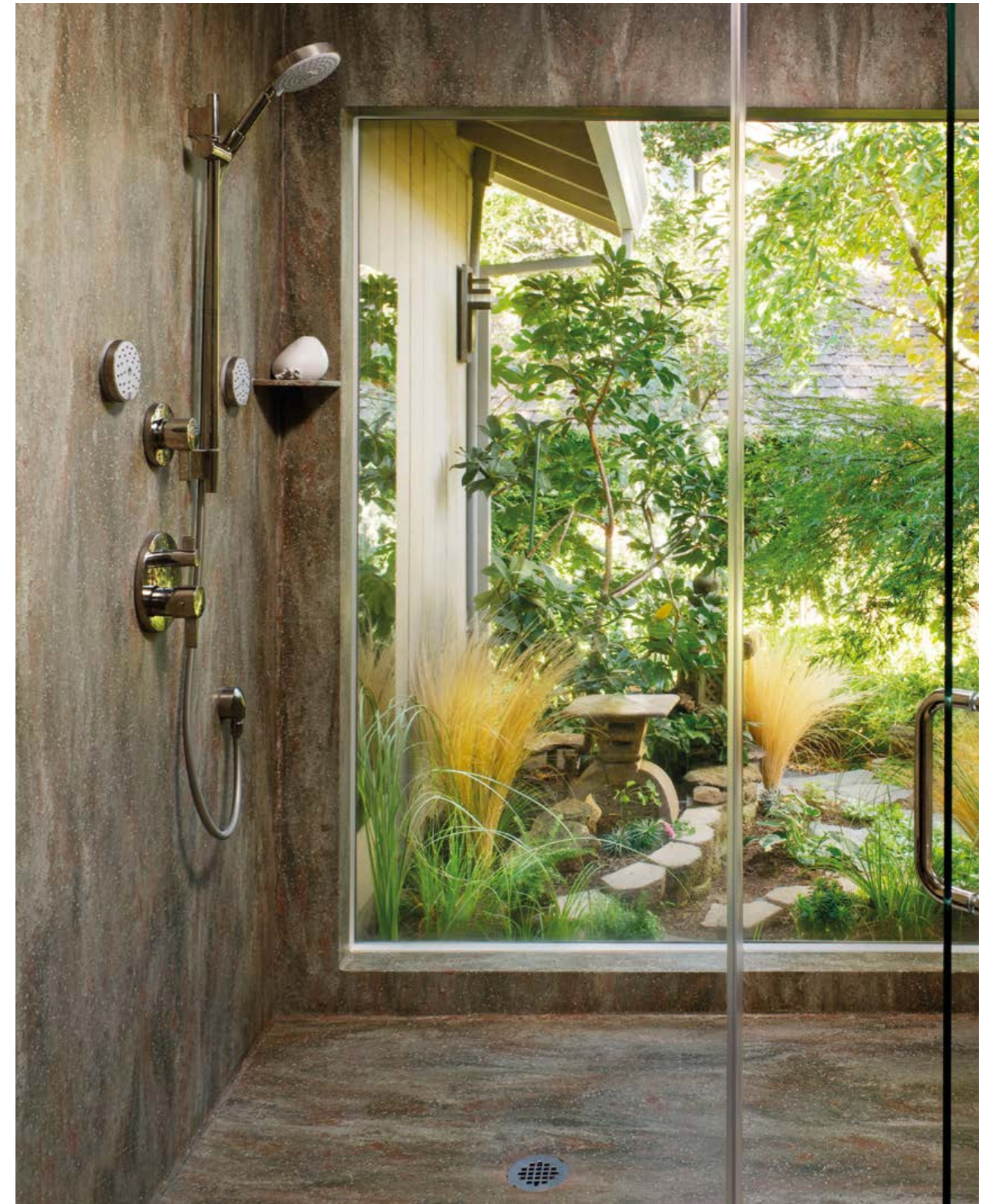
OPPOSITE: Corian® Shower Wall in Glacier White.



# LIFECYCLE COST FOR CORIAN® SHOWER WALLS VS TILED WALLS



- TOTAL COST OF OWNERSHIP CALCULATED OVER A 15 YEAR PERIOD
- HOTELS WITH 100 ROOMS AND AN AVERAGE £150 ROOM RATE
- COMPETITIVE MATERIAL: PORCELAIN TILE RAW MATERIAL COST: £100/M<sup>2</sup>
- INSTALLATION TIME:
  - > CORIAN® SHOWER PANELS 1 DAY
  - > COMPETITIVE MATERIAL 4 DAYS
- REFIT OF THE WALL AFTER TILE REMOVAL: £135
- CLEANING COST OF HOUSEKEEPING IS 10% LESS FOR CORIAN® SHOWER WALLS DUE TO THE LACK OF SILICONE JOINT THAT IS MOULD-RESISTANT.
- MAINTENANCE COST SOURCED FROM UK REPORT (LOUGHBOROUGH UNIVERSITY - 400 HOTELS)



ABOVE: Corian® Shower Wall in Corian® Solid Surface Rosemary

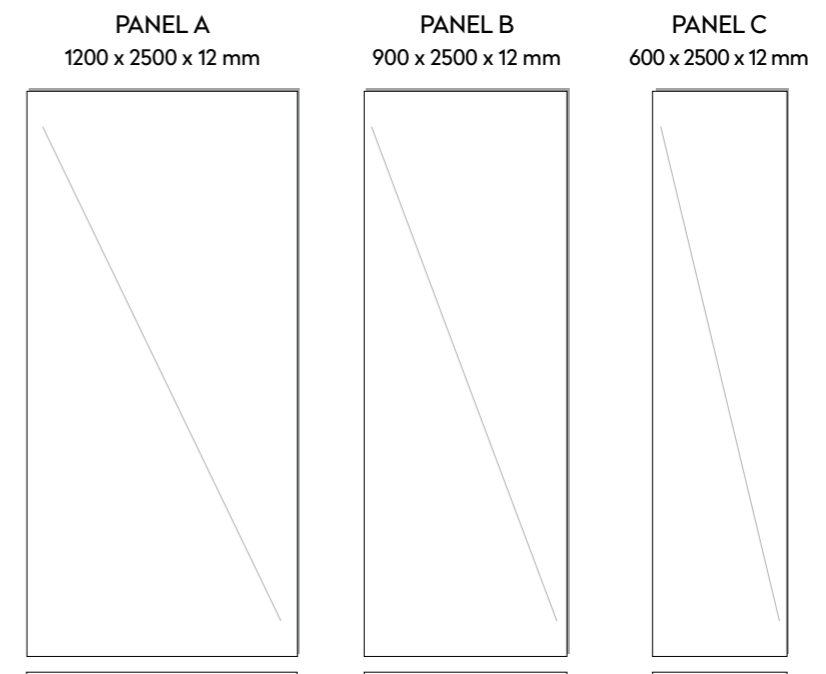




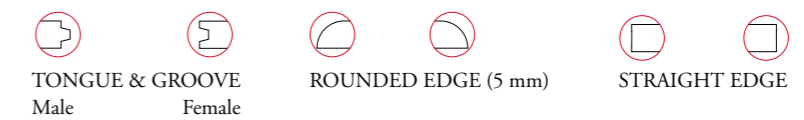
ABOVE: Corian® Shower Wall render showcasing Corian® Solid Surface Limestone Prima and Corian® Solid Surface Smokedrift Prima.

# CORIAN® SHOWER PANEL DIMENSIONS

Shower Panels made with Corian® Solid Surface come in a choice of sizes and edge options that make them flexible in any bathroom design. Corian® Shower Panels can be provided with any of the edge options showcased below at the same cost.



## DESIGN EDGE OPTIONS



### PANEL A

The most versatile of our panels feature either one finished radius edge or tongue and groove to link to other tongue and groove panels. Depending on the colour choice, this panel is fabricated with either one sheet or two sheets joined inconspicuously together.

Please note: Due to the unique aesthetics of each veined panel, the choice of join technique may affect the noticeability of the seam.

### PANEL B

Our 900mm width panels result in less joints, offering the potential for a reduction in waste and cost. Depending on the colour choice, this panel is fabricated with either one sheet or two sheets joined inconspicuously together.

Please note: Due to the unique aesthetics of each veined panel, the choice of join technique may affect the noticeability of the seam.

### PANEL C

Our 600mm width panels are fabricated with one single sheet and, when ordered with panels A or B, can assist in bringing cost-efficiencies to your project due to the reduction in waste materials.



WHITE ONYX: White veining, enhanced by a translucent background, creates a refined design for White Onyx. It has the look of a semi-precious stone with a dynamic modern appeal.

# RECOMMENDED CORIAN® SHOWER PANEL PRICES

## CORIAN® SHOWER PANEL PRICE BY COLOUR GROUP

PANELS TYPE	DIMENSIONS (mm)	SQM	COLOUR GROUP				
			Group 0	Group 1	Group 2	Group 3	Group 4
Panel A	1200x2500x12	3	£976.52	£1,075.38	£1,240.15	£1,355.98	£1,483.40
Panel B	900x2500x12	2.25	£732.39	£806.53	£930.11	£1,016.99	£1,112.55
Panel C	600x2500x12	1.5	£488.26	£537.69	£620.08	£677.99	£741.70

Recommended prices are for a minimum of 1 shower panel and do not include VAT.  
 Shipping is not included.  
 Labour for templating and installation are not included.  
 Corian® Joint Adhesive guns +50 ml cartridges included.  
 Shower panels recommended price list includes flexibility on widths +/- 2 cm on panels A, B, C.  
 Prefabricated panels for any shower corner will come with a higher dimension of 5mm width for scribing on site.  
 Shower panels will be delivered with 2mm chamfer at the bottom of each panel.  
 Each shower panel will be delivered either with a tongue & groove, straight or rounded edges depending on the specifications requested.  
 Shower panel designs are not intended to continue over tongue and groove joints.  
 Corian® Solid Surface colours with reflective pigments are excluded from the Corian® Shower Wall offering.

### GROUP 0



GLACIER WHITE

### GROUP 1



DESIGNER WHITE

CAMEO WHITE

GLACIER ICE

LIGHT ASH

BONE

BISQUE

VANILLA

PEARL GRAY

SILVER GRAY

ELEGANT GRAY

LIME ICE

SEAGRASS

MINT ICE

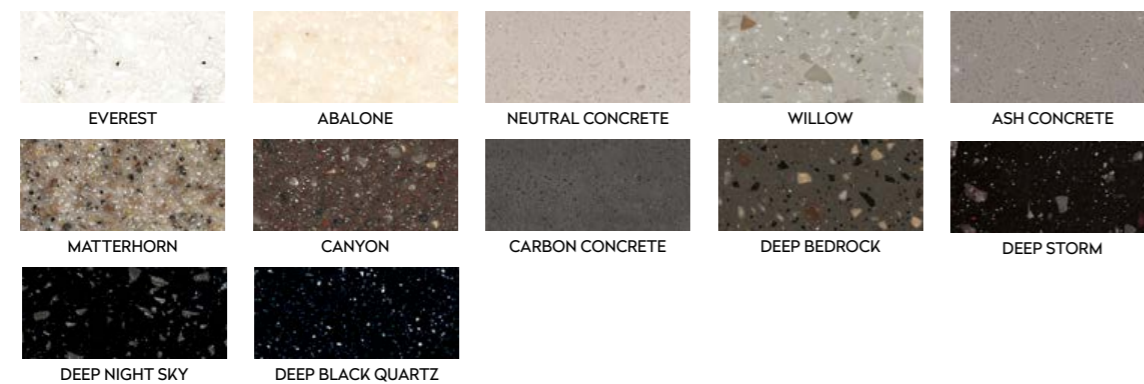
ATHENA GRAY



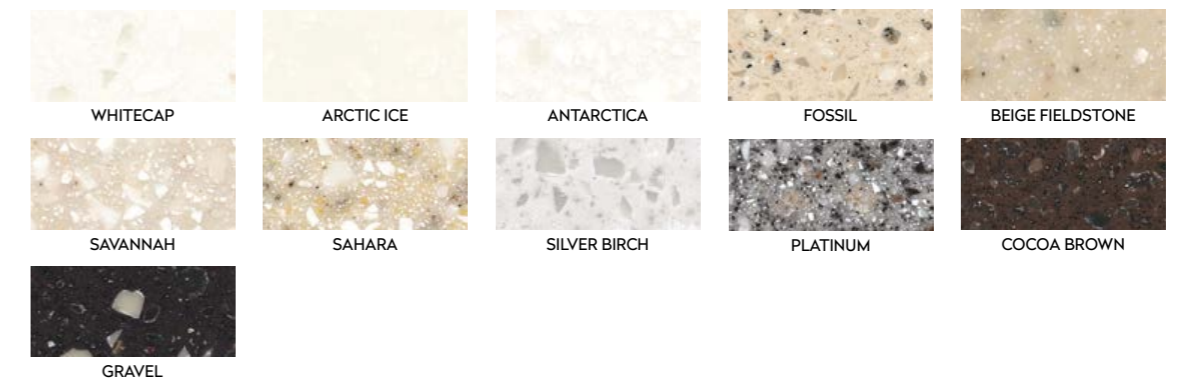
## GROUP 2



## GROUP 3



## GROUP 4



## GROUP 4 VEINED COLOURS





# INSTALLATION INSTRUCTIONS

## SURFACE PREPARATION

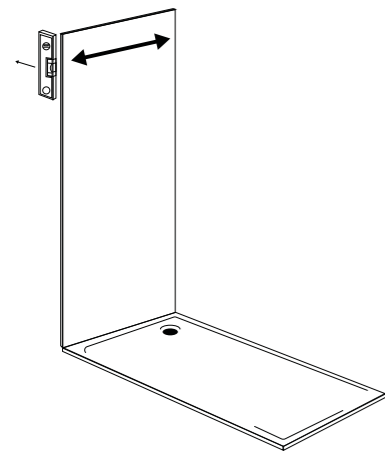
Corian® panels can be installed on most surfaces such as tiles, plaster, vertical profiles and similar substrates.

Before installation, please check the following to ensure a good bond:

1. The walls are level and sound.
2. The surfaces of the walls are dry, clean and free of dust.
3. The backsides of the panels are free of dust.

Depending on the substrate surface and the selected bonding method additional preparation of the substrate may be required.

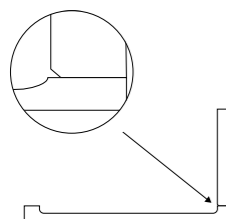
## BACK PANEL



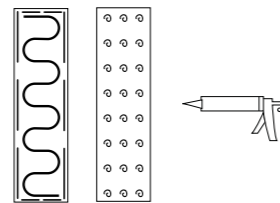
### • Preparation

1. Check if the walls are plumb.
2. Measure the width of the back wall.
3. Trim the back panel 5mm smaller than the width of the wall.
4. Measure the position of the shower head and the tap
5. Drill the holes for the shower head and the tap using a router or a hole saw.
6. Smooth the edges of the holes with sandpaper.
7. Cut a 2mm chamfer at the bottom of the panel.

Note: A silicone caulk will be applied here at the finishing stage.



### • Installation

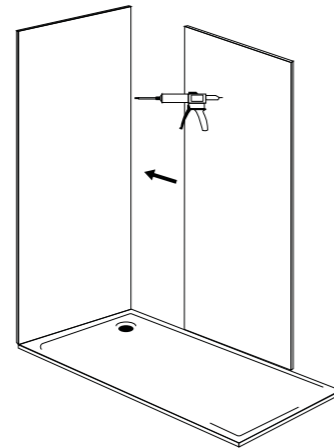


1. Apply silicone to the backside of the panel.
2. Put the panel in place.

### Note:

If the colour of the silicone severely contrasts with the colour of the panel or the substrate, this could show through on panels that are more translucent.

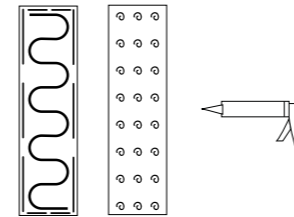
## SIDE PANEL



### • Preparation

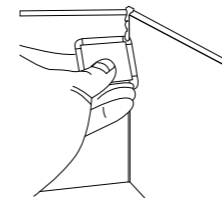
1. Measure and cut the side panel.
2. Place the side panel to see if it fits snugly.
3. If required, scribe the side panel and remove the excess material.
4. Cut a 2mm chamfer at the bottom of the panel.
5. Clean the edge of the side panel with industrial denatured alcohol.

### • Installation



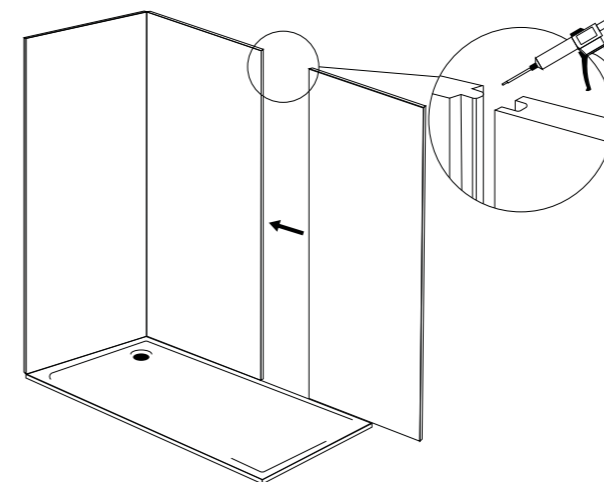
1. Apply silicone to the backside of the side panel.
2. Apply Corian® Joint Adhesive on the edge of the side panel.
3. Put the panel in place.

### • Corner Joint Finishing



1. Use a plastic silicone remover tool to remove most of the residual adhesive. This tool will efficiently remove the adhesive without scratching the surface of the panel.
2. Clean the corner using a cloth dampened with acetone to remove all the residual adhesive from the surface.

## ADDITIONAL SIDE PANEL



### • Tongue and Groove Joint

If the width of the required side wall is larger than the standard panel width or if you want to add an edge detail, we recommend making a tongue and groove joint between the two panels before they are mounted.

The tongue and groove design should be conical and have rounded edges. This helps for a better alignment.

### • Preparation

1. Measure and cut the additional side panel.
2. Place the additional side panel to see if it fits snugly.
3. Cut a 2mm chamfer at the bottom of the panel.
4. Clean the edges of the panels with industrial denatured alcohol.

### • Installation

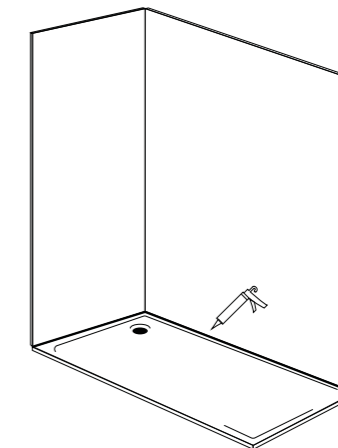
1. Apply Corian® Joint Adhesive in the groove of the first side panel.
2. Apply silicone to the backside of the additional side panel.
3. Put the panel in place.

### • Joint Finishing

The excess adhesive must be removed. See Corner Joint Finishing.

## FINISHING

Apply a silicone caulk in the chamfer at the bottom of the panels to ensure the joint is watertight.



# CARING FOR CORIAN® SOLID SURFACE

Corian® Solid Surface was created for a lifetime of easy care. Just follow the simple guidelines listed here to help keep your Corian® Solid Surface looking beautiful.

## ROUTINE CARE OF YOUR CORIAN® SURFACE

- **For everyday cleaning:**
  - Use soapy water or widely available surface cleaners.
  - Remove excess detergent with a soft cloth, rinse surface with warm water and dry with a soft cloth.
  - If necessary use a microfibre cloth and rub over the surface with an ammonia based cleaner, then rinse with water. This procedure will remove most dirt and residue from your Corian® Solid Surface.
- Always clean using a circular motion, from the front to the back, then side to side, overlapping the circles until the entire area has been cleaned. Do not use abrasive or mild abrasive cleaners on high gloss or dark surfaces.
- **Be aware that limescale can build up if water is left to dry on the surface.**
  - To prevent this, it is important to wipe the surface completely dry with a microfibre cloth after spills and cleaning.
- Some colours of Corian® Solid Surface may require more frequent cleaning to maintain a uniform finish.

## BATHROOM APPLICATION - MAINTENANCE OF SHOWER WALLS

- **Most Dirt & Stains**
  - Use soapy water or any common detergent (not window cleaner), rinse and wipe completely dry.
  - Gel or creamy detergents in combination with a mild abrasive cleaning pad or sponge are particularly recommended, rinse and wipe completely dry.
- **Preventing Hard Water Marks**
  - Rinse and wipe completely dry after cleaning.
- **Removing Hard Water Marks**
  - Use a microfibre cloth and rub the stain with a standard household limescale remover or vinegar and leave for 2-4 minutes.
  - Using a second clean microfibre cloth, rinse the area thoroughly with water.





TO KNOW MORE ABOUT CORIAN® SOLID SURFACE, PLEASE VISIT CORIAN.COM  
OR CONTACT THE LOCAL CORIAN® DESIGN OFFICE OR REPRESENTATIVE.

TO KNOW MORE ABOUT CORIAN® DESIGN:

CORIAN.UK

 [Facebook.com/CorianDesign](https://www.facebook.com/CorianDesign)    [Instagram.com/CorianDesign](https://www.instagram.com/CorianDesign)    [Linkedin.com/company/corian-design](https://www.linkedin.com/company/corian-design)  
 [Pinterest.com/coriandesign](https://www.pinterest.com/coriandesign)    [Twitter.com/CorianDesign](https://twitter.com/CorianDesign)    [Youtube.com/CorianDesign](https://www.youtube.com/CorianDesign)

  
CORIAN®  
DESIGN

  
Make Your Space™

Corian®, the Corian® Design logo, Make Your Space™ and the Corian® Elements logo are registered trademarks or trademarks or copyrighted material of E. I. du Pont de Nemours and Company or its affiliates.  
Copyright © 2018 E. I. du Pont de Nemours and Company.

DPS-00-1400-18